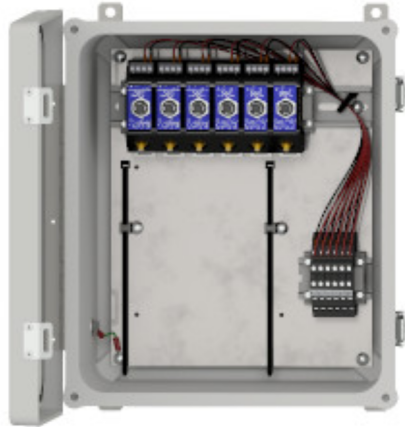


# PXE150T

Proximity Probe Driver Enclosure



PROTECTION & RELIABILITY INSTRUMENTS



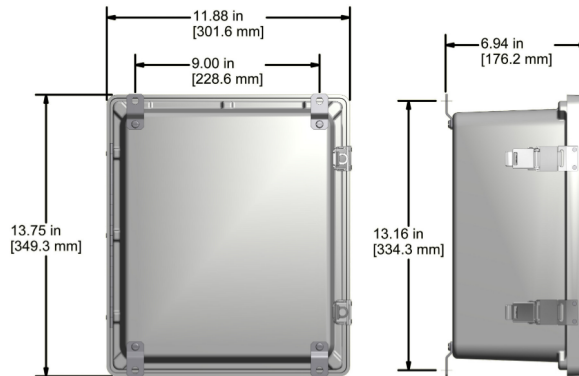
## Product Features

Accommodates up to 6 Proximity Probe Drivers

Enclosure protects components from dirt, dust, oil, & water

▶ For use with DD100180, DD100980, DX330180 & DX330980 Series Proximity Probe Drivers

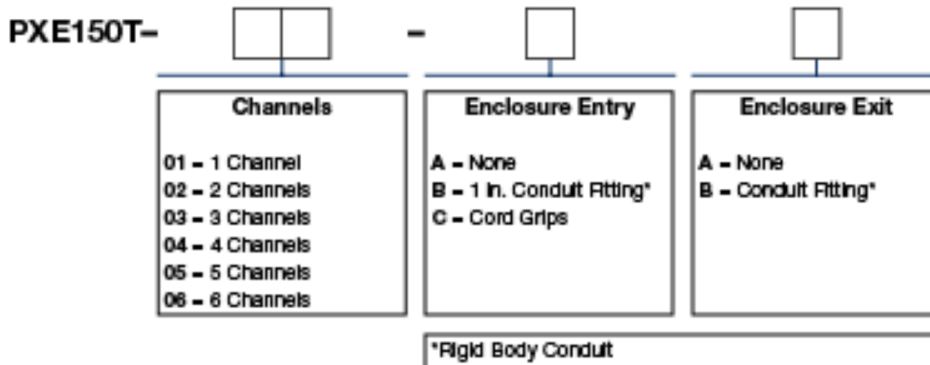
▶ Accommodates up to 6 Terminal Blocks



## Specifications

Temperature Range	15° to 140°F (-10° to 60°C)
Enclosure Material	Fiberglass
Inputs	Screw Terminal Blocks
Outputs	BNC Jack for Dynamic Signal and Terminal Blocks
Channel Options	298 x 349 x 176 mm
Rating	NEMA 4X
Dimensions	11.73 x 13.74 x 6.93 in (298 x 349 x 176 mm)
Resistance	Resistant to Hose Directed Fluid and Corrosion

## Ordering Information



Lifetime Warranty on Materials & Workmanship

www.ctconline.com | sales@ctconline.com | 585-924-5900