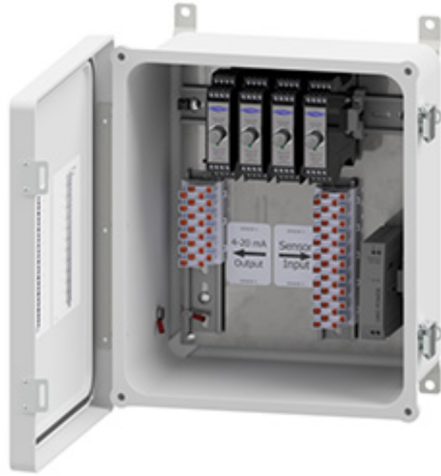


XE150T 1 to 4 Channels

1-4 Channel Fiberglass Enclosure for SC200 Series Signal Conditioners with Temperature/Vibration Input



PROTECTION & RELIABILITY INSTRUMENTS

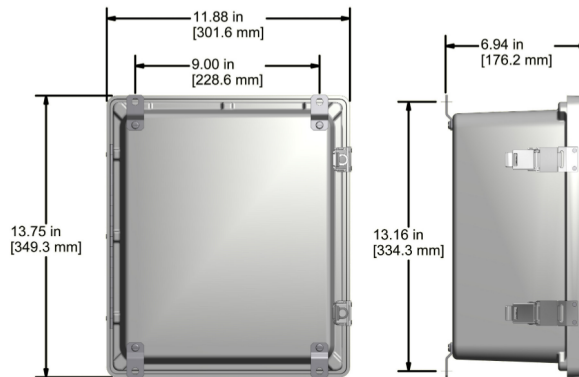


Product Features

Accommodates up to 4 SC200 Series Signal Conditioners for Dual Temperature & Vibration Monitoring

Signal conditioners sold separately

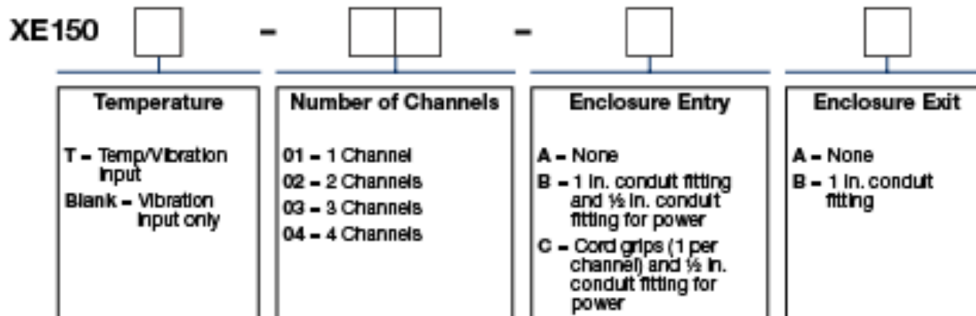
- ▶ Provides 4-20 mA Signals along with dynamic outputs, from remote installed accelerometers to PLC/DCS systems and portable data collectors
- ▶ Constant 4-20 mA Signals with available dynamic signal via BNC jack or screw terminals
- ▶ Includes internal DC Power Supply with 100-VAC Input



Specifications

Temperature Range	15°F (-10°C) to 140°F (60°C)
Enclosure Material	Fiberglass
Power	100-240 VAC
Inputs	Vibration Input: 1 Input/channel Dual Temp/Vib: 2 inputs/channel (CTC TA Series only)
Outputs	BNC Jack for Dynamic Signal and Screw Terminal Blocks for 4-20 mA outputs
Channel Options	1 - 4 Channels
Rating	NEMA 4X (IP66)
Door Closure	Twist Latch
Dimensions	11.73 x 13.74 x 6.93 in (298 x 349 x 176 mm)
Resistance	Resistant to Hose Directed Fluid and Corrosion

Ordering Information



Lifetime Warranty on Materials & Workmanship

www.ctconline.com | sales@ctconline.com | 585-924-5900