

XE150 5 to 8 Channels

1 - 8 Channel Fiberglass Enclosure for SC200 Series Signal Conditioners



PROTECTION & RELIABILITY INSTRUMENTS

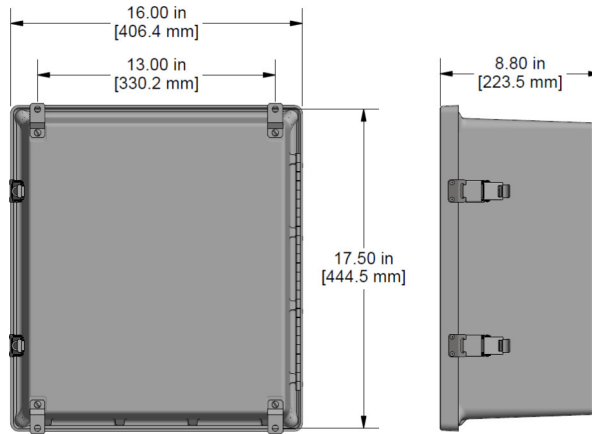


Product Features

Accommodates up to 8 SC200 Series Signal Conditioners

Signal conditioners sold separately

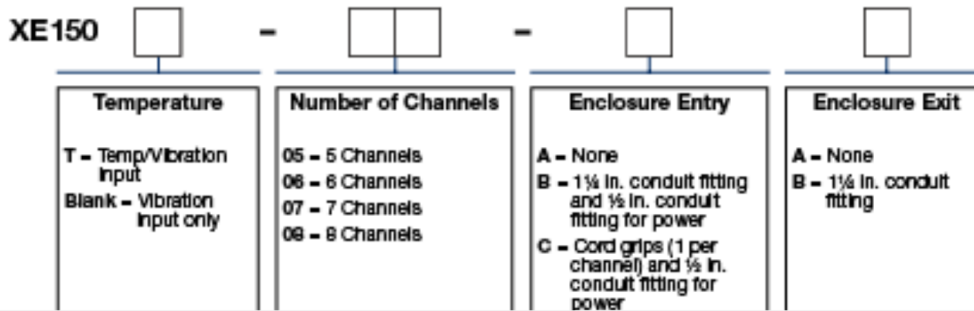
- ▶ Provides 4-20 mA Signals along with dynamic outputs from remotely installed accelerometers to PLC/DCS systems and portable data collectors
- ▶ Constant 4-20 mA outputs with available dynamic signal via BNC jack or screw terminals
- ▶ Includes DC Power Supply with 100-240 VAC Input



Specifications

Temperature Range	15°F (-10°C) to 140°F (60°C)
Enclosure Material	Fiberglass
Power	100-240 VAC
Inputs	Vibration Input: 1 Input/channel
Outputs	BNC Jack for Dynamic Signal and Screw Terminal Blocks for 4-20 mA outputs
Channel Options	1 - 8 Channels
Rating	NEMA 4X (IP66)
Door Closure	Twist Latch
Dimensions	15.98 x 17.91 x 8.50 in (406 x 455 x 216 mm)
Resistance	Resistant to Hose Directed Fluid and Corrosion

Ordering Information



Lifetime Warranty on Materials & Workmanship

www.ctconline.com | sales@ctconline.com | 585-924-5900